

MICRO SWITCH
a Honeywell Division

FED. MFG. CODE 91929

ASSEMBLY - SWITCH

CATALOG LISTING

22AC1
KC-Q0010

22AC1

CATALOG LISTING

PAGE 1 OF 1

REPLACES

RELEASE NO. SR8853

ISSUE 5

CHECK

REVISIONS

A C096143
LJK
10 APR 00

CHECK

10 APR 00

SAV

CHECK

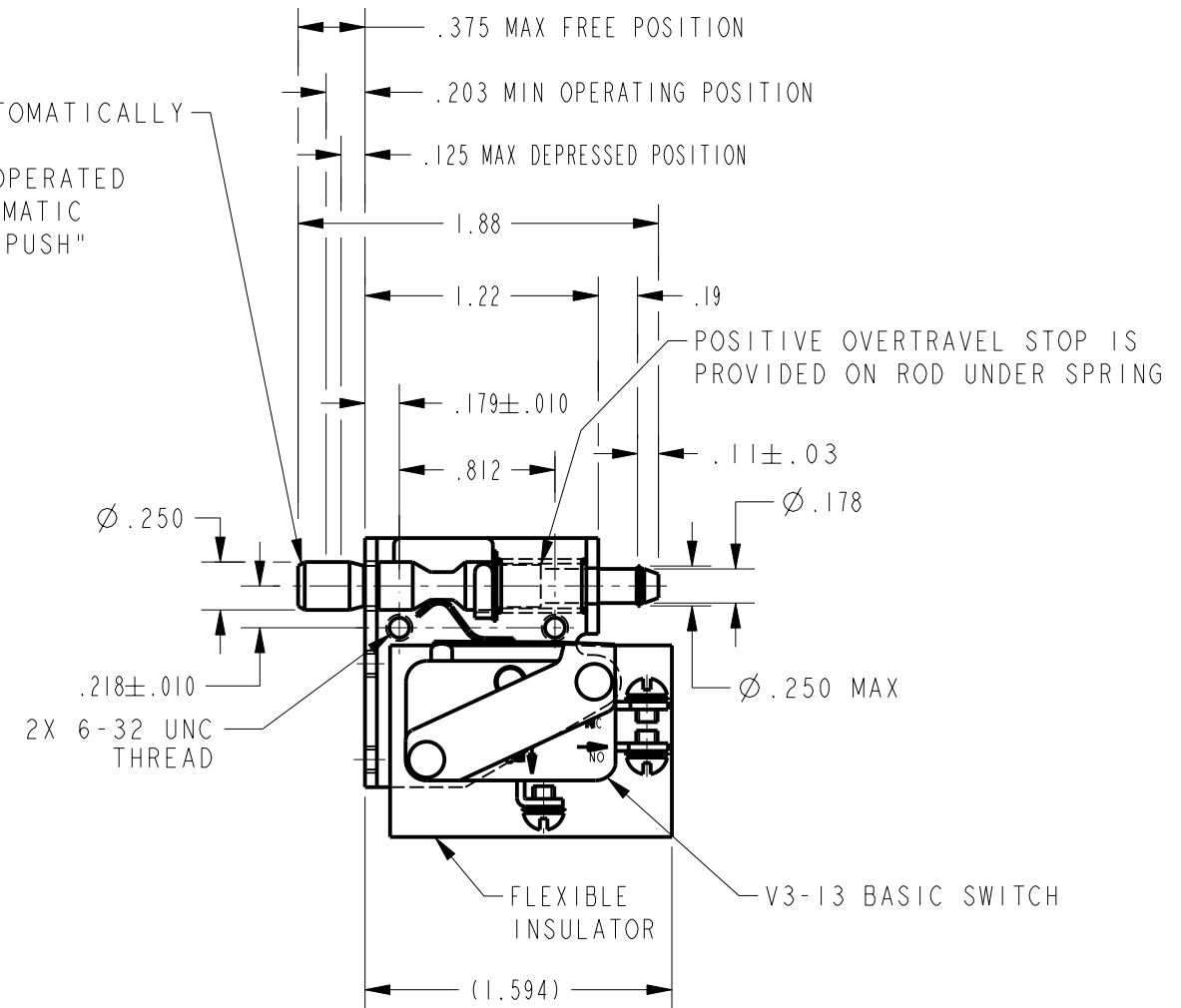
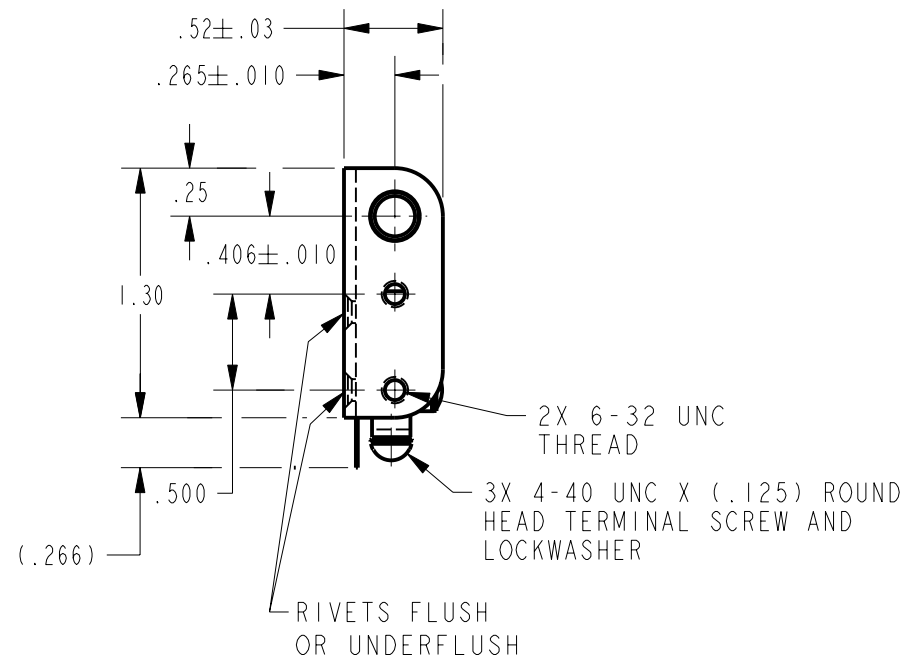
10 APR 00

PTC/CAD

2D

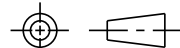
LJK

PUSH TO OPERATE-RETURNS AUTOMATICALLY TO POSITION SHOWN
PULL TO OPERATE-REMAINS IN OPERATED POSITION UNTIL RESET FOR AUTOMATIC RETURN BY NEXT FULL STROKE "PUSH" OPERATION



THIS DRAWING COVERS A PROPRIETARY ITEM AND IS THE PROPERTY OF MICRO SWITCH, A DIVISION OF HONEYWELL. THIS DRAWING IS NOT TO BE COPIED OR USED WITHOUT THE APPROVAL OF MICRO SWITCH

THIRD ANGLE PROJECTION



CHARACTERISTICS	ELECTRICAL DATA
TOTAL TRAVEL .250 APPROX PUSH DIRECTION .187 APPROX PULL DIRECTION	CONTACT ARRANGEMENT S P D T
FULLY DEPRESSED FORCE ----- 4 LB MAX	15.1A 1/2HP 125, 250 VAC 1/2A 125 VDC, 1/4A 250 VDC 5A 125 VAC "L"

SCALE	DO NOT SCALE PRINT
FULL	UNLESS OTHERWISE SPECIFIED TOLERANCES ARE
	ONE PLACE (.0) ±.030
	TWO PLACE (.00) ±.015
	THREE PLACE (.000) ±.005
	ANGLES ±
WEIGHT	.075 LB

NOTES

- 1 - NOTCH IN ACTUATOR ROD WILL PERMIT .035 DISPLACEMENT BETWEEN END OF ROD AND HOLE IN BRACKET
- 2 - BASIC SWITCH PLASTIC PARTS ARE MADE OF MINERAL FILLED PHENOLICS
- 3 - ACTUATOR ROD MADE OF HIGH STRENGTH PLASTIC
- 4 - WITH ROD IN EITHER ACTUATED POSITION BASIC SWITCH PLUNGER MUST HAVE .015 MIN OVERTRAVEL AND WITH ROD IN FREE POSITION BASIC SWITCH PLUNGER MUST HAVE .005 MIN RELEASE TRAVEL

ANSI Y14.5M-1982 APPLIES